

2

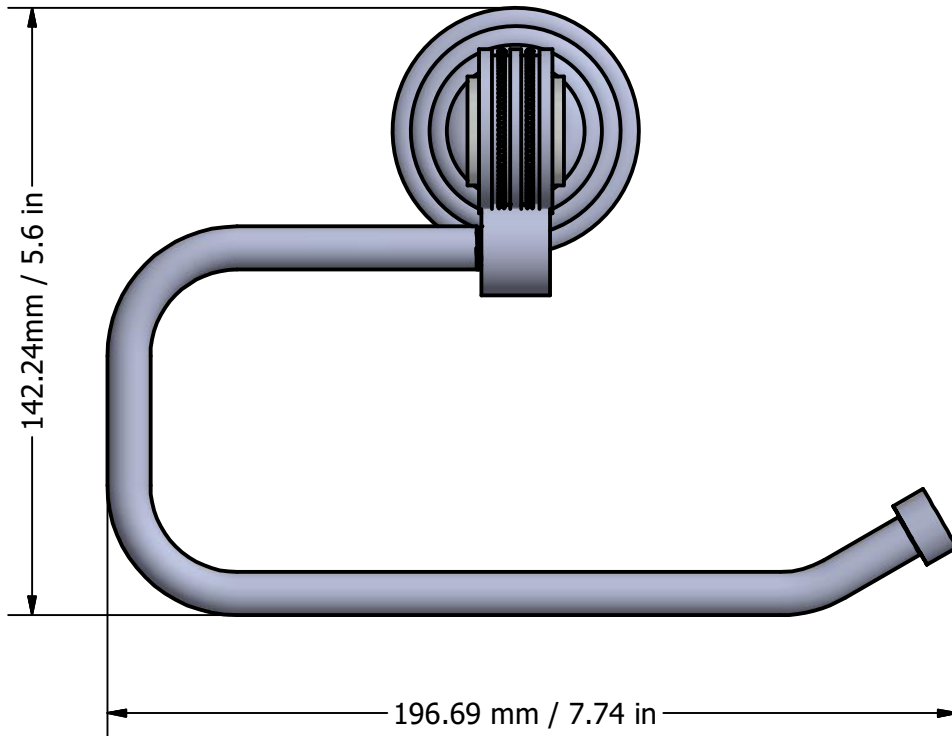
1

PARTS LIST

ITEM	QTY	PART NUMBER	DESCRIPTION
1	1	BPWV	BACKPLATE
2	1	CL-TB	POST
3	1	RGDTD-1	RING WITH NEW SIZE HOLE
4	1	AC-HHUB	ACRYLIC HUB
5	1	HB2T-78	HUB
6	1	HKETS-38	HOOK
7	1	CARD-58	CAP

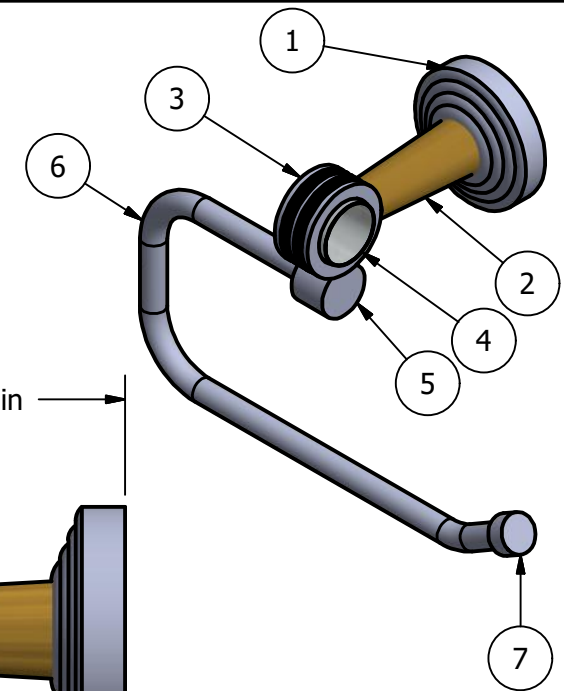
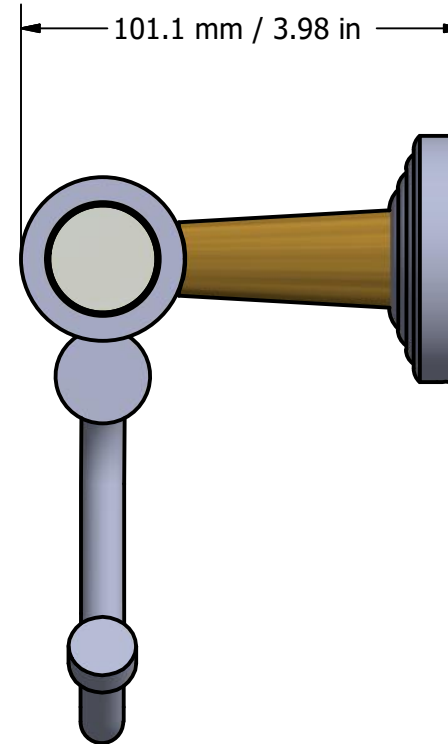
B

B



A

A



APPROVED FOR PRODUCTION

By: RICHARD PAUL
Date: 10-15-18

UNLESS OTHERWISE SPECIFIED

UNIT IS IN MM.

.X	± .3mm		DRAWN	10-07-18	IM	MATERIAL:	BRASS		FINISH	TBD	
.XX	± .15mm		CHECKED	10-07-18	P.D.	DESCRIPTION:			QTY	TBD	
.XXX	± .008mm		APPROVED	10-07-18	R.A.	Pacific Beach Collection European Style Toilet Tissue Holder w/ Dotted Accent			DRAWING NO.		
			THIRD ANGLE PROJECTION			PB-24Ed			REV	0	
								SCALE	1.5:1	SHEET: 1 OF 1	A4

2

1